

P27.6 AU COMPACT

Merlo's new **P27.6 AU telehandler** delivers unrivalled comfort, efficiency and agility.

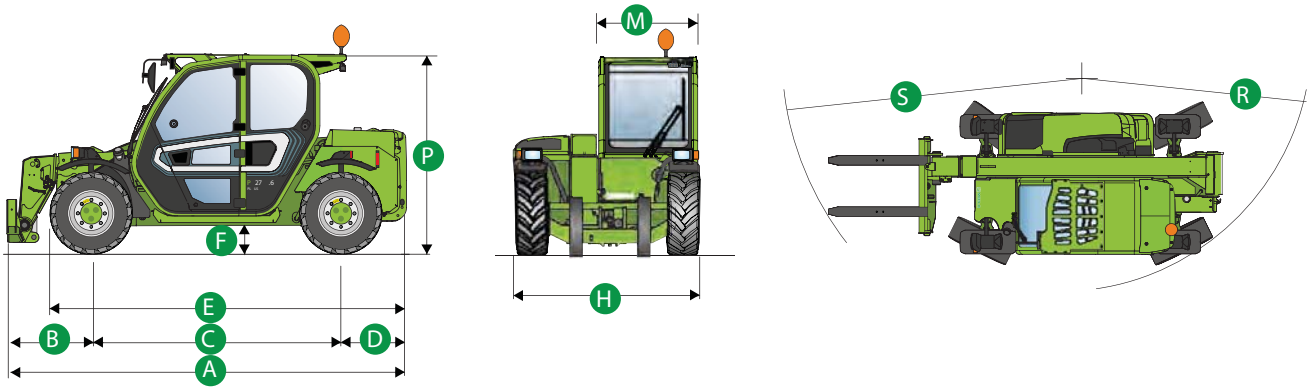
- ➔ **Largest cab** of any compact at 1,010 mm
- ➔ Hydrostatic transmission gives a **smooth ride**
- ➔ **Fuel efficient and fast**, the P27.6 AU engine reaches 40 km/h
- ➔ With a **boom reach of 6 m**, it out performs other compacts



SINCE 1964

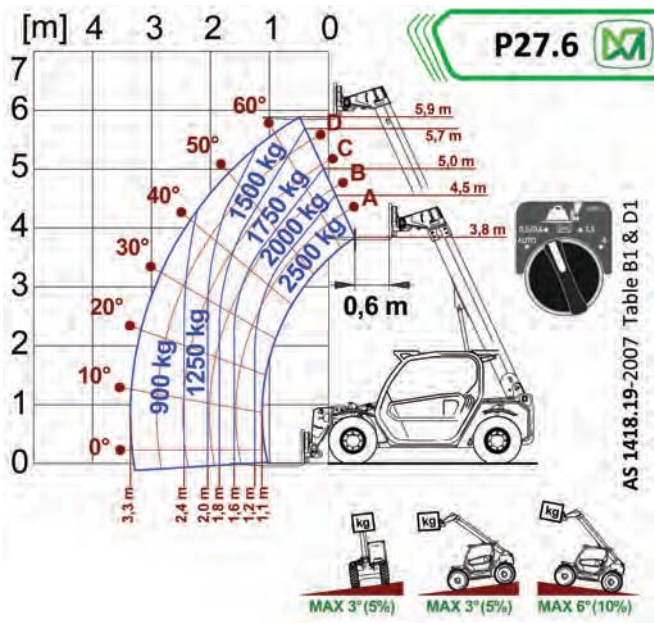


MERLO
AUSTRALIA



DIMENSIONS	
A (mm)	3910
B (mm)	820
C (mm)	2450
D (mm)	640
E (mm)	3495
F (mm)	270
H (mm)	1840
M (mm)	1010
P (mm)	1920
R (mm)	3370
S (mm)	4200

PERFORMANCE	P27.6 AU
Total unladen mass, with forks (kg)	4750
Maximum capacity (kg)	2500
Lifting height (m)	5.9
Maximum reach (m)	3.3
Maximum operating height (m)	4.5
Maximum operating reach (m)	1.2
Capacity at maximum height (kg)	1500
Capacity at maximum reach (kg)	900
Engine (brand/cylinders)	Kubota/4
Tier 3 engine power (kW/CV)	55/75
Maximum speed (km/h)	40
Hydraulic system (bar-l/min)	210/94
Fuel tank (l)	70
Hydraulic oil tank (l)	70
Standard tyres	12-16.5"



STANDARD SPECIFICATIONS	P27.6 AU
Hydrostatic transmission	✓
Electro-mechanical joystick command	✓
Tac-Lock attachment locking	✓
Finger-Touch	✓
Pedal-operated inching control	✓
Permanent four-wheel drive	✓
Four-wheel steering	✓
BSS hydro-pneumatic boom suspension	optional
Auxiliary hydraulic service on boom	✓
M CDC	✓
Cab	
Air conditioned cabin	✓
Air suspension seat	✓
FOPS (ISO 3449) and ROPS (ISO 3471) cab	✓



Merlo reserves the right to modify and update the contents of this document at any time. Information and technical data are as available at time of printing.

For current information on Merlo products please contact your Merlo dealer.
 ABN 87116110751 **MER27.6AU-2017**