

TURBOFARMER II

TF35.7-120

Merlo's all-new **Turbofarmer II telehandler** is compact in size and big on performance.

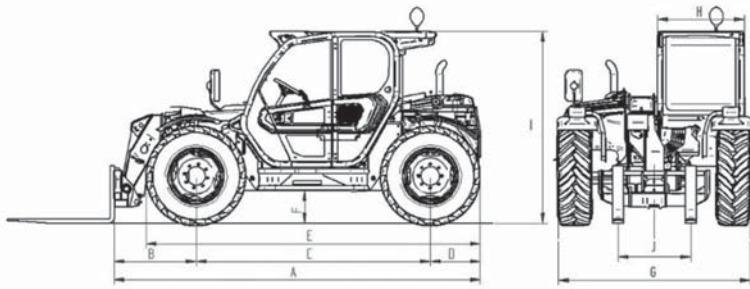
- ➔ **Fuel efficient** 120(HP) Tier 4 interim engine with CVTronic transmission
- ➔ 6.6m boom, 3.5 tonne load capacity and **20 tonne towing capability**
- ➔ **Load sensing hydraulics** and flow sharing pump
- ➔ Fully pressurised **1.1m wide cab**



SINCE 1964



MERLO
AUSTRALIA



DIMENSIONS

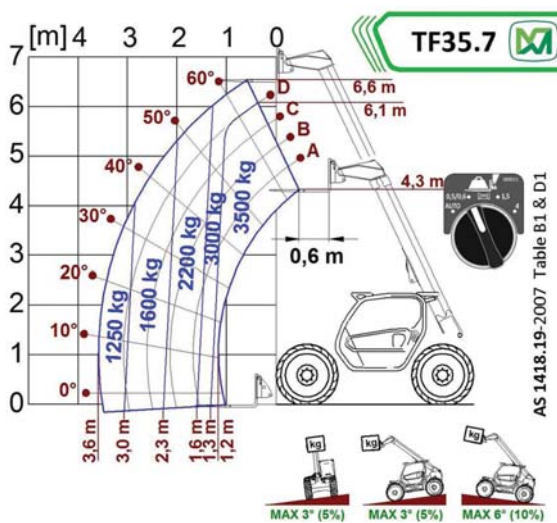
A (mm)	4315
B (mm)	990
C (mm)	2470
D (mm)	585
E (mm)	3910
F (mm)	380
G (mm)	2240
H (mm)	995
I (mm)	2240
J (mm)	850

PERFORMANCE

Unladen weight (kg)	6700
Maximum load capacity (kg)	3500
Maximum lift height (m)	6.6
Capacity at maximum height (kg)	3500
Maximum reach (m)	3.5
Capacity at maximum reach (kg)	1350
Mechanical PTO (540/1000)	optional

Working Times

Ascent (sec)	6.6
Descent (sec)	5.5
Extension (sec)	5
Retraction (sec)	3.3



STANDARD SPECIFICATIONS

Engine

Turbo engine	Deutz Tier 4 Interim
Range/cylinders	3,6/4
Engine power (kW/HP)	90/122
Maximum speed (km/h)	40
Fuel tank capacity (l)	140

Transmission

Hydrostatic Merlo transmission	EPD
Speeds	2
Dual reverse shuttle system	✓
Pedal inching-control	✓
Permanent four-wheel drive	✓

Brakes

Automatic parking brake	✓
-------------------------	---

Tyres

Standard tyres	405/70-24
----------------	-----------

Cab

Air conditioned cabin	✓
Air suspension seat	✓
FOPS (ISO 3449) and ROPS (ISO 3471) cab	✓

Steering

All wheel steering	✓
--------------------	---

Instruments

Electronic joystick control	✓
Merlo Dynamic Load Control (M-CDC)	✓

Hydraulic System-Implement

LS Flow-sharing hydraulic system (bar-l/min)	210-125
BSS Hydro-pneumatic boom suspension	✓
Hydraulic oil tank capacity (l)	100
Fan drive pump (l/min)	46
Auxiliary hydraulic service on boom	✓

Dimensions

Width (mm)	2240
Height (mm)	2250
Length (mm)	4315

Accessories & Attachments

Tac-Lock attachment locking	✓
Two floating forks	✓
Standard forks	✓
Fork extensions	optional
Digging bucket	optional
Re-handling bucket	optional
4 x 1 bucket	optional
Multipurpose bucket with grab	optional
Crane hook	optional
Reduced height crane jib	optional
Drum clamp	optional
Forks with slide protection	optional
Handler for single round bale	optional



Merlo reserves the right to modify and update the contents of this document at any time. Information and technical data are as available at time of printing.

For current information on Merlo products please contact your Merlo dealer.
 ABN 87116110751 **MER-TF35.7-2016**